

# CEILING FIXTURE INSTALLATION GUIDE

Models using Renfro Series (T5 Circline Base 120V)



BESA LIGHTING

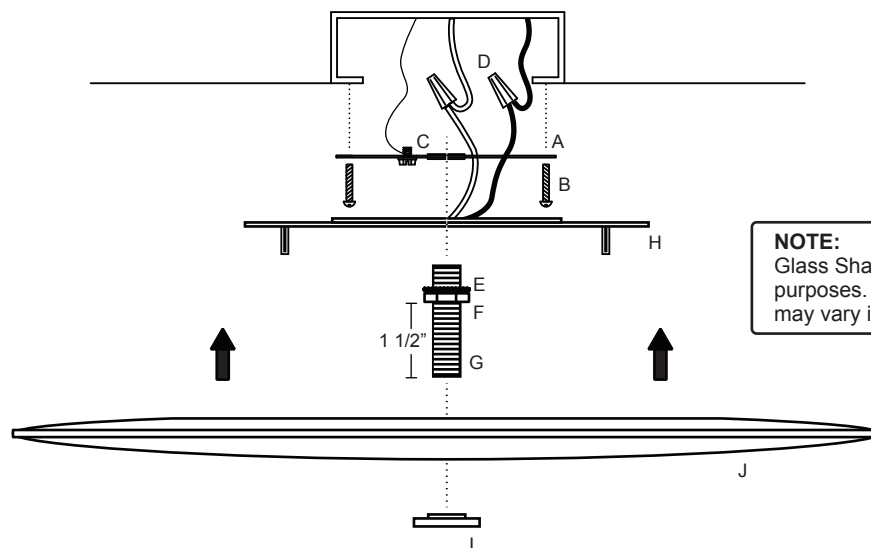
6695 Taylor Rd. Blacklick, OH 43004  
www.besalighting.com

Renfro 16, Rev.1 11-12

## Use With these Models:

- Renfro 16

**Caution: Turn off power to electrical box before installing**



**NOTE:**  
Glass Shade is for instructional  
purposes. Actual Glass Shade  
may vary in size and shape.

1. Carefully unpack parts. Install Mounting Bracket (A) onto Outlet box and secure with Machine Screws (B).
2. Connect the house supply ground wire to the Ground Screw (C) on the Mounting Bracket.
3. Connect the electrical leads from the fixture to the house supply wires, black to black and white to white, and secure with wirenuts provided (D).
4. Thread Washer (E) and Hex Nut (F) onto the Threaded Nipple (G). Leave approximately 1 1/2" of Threaded Nipple below the Hex Nut.
5. Align the openings in Fixture Pan (H) and Mounting Bracket (A) and install the Threaded Nipple to secure the Fixture Pan to the Mounting Bracket.
6. Install lamp. Do not exceed the wattage marked, as that could cause fixture to overheat.
7. Install Glass Diffuser (J) by aligning glass opening with Threaded Nipple (G), then screw on Decorative Cap (I).
8. Restore power.

**All electrical connections and the installation of this fixture must be in agreement with local codes, ordinances or the NEC (National Electric Code) or CEC (Canadian Electrical Code).  
Do not connect this fixture to an electrical system that does not provide a means for equipment grounding.**

# CEILING FIXTURE INSTALLATION GUIDE

Models using Renfro Series (T5 Circline Base 120V/277V)



BESALIGHTING

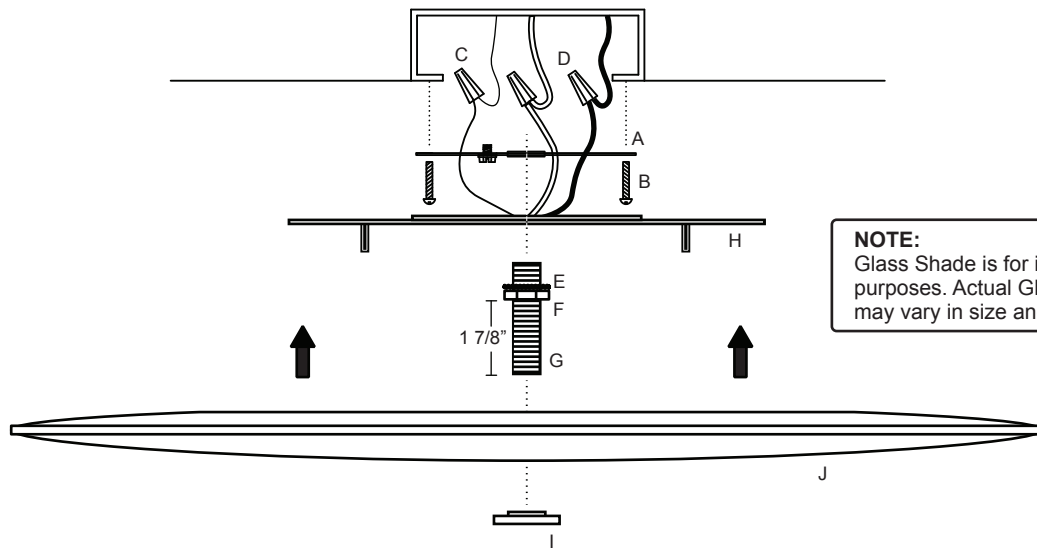
6695 Taylor Rd. Blacklick, OH 43004  
www.besalighting.com

Renfro 20, Rev.1 11-12

## Use With these Models:

- Renfro 20

**Caution: Turn off power to electrical box before installing**



**NOTE:**  
Glass Shade is for instructional purposes. Actual Glass Shade may vary in size and shape.

1. Carefully unpack parts. Install Mounting Bracket (A) onto Outlet box and secure with Machine Screws (B).
2. Connect green ground wire from fixture to house supply ground wire with wire nut connector (C).
3. Connect the electrical leads from the fixture to the house supply wires, black to black and white to white, and secure with wirenuts provided (D).
4. Thread Washer (E) and Hex Nut (F) onto the Threaded Nipple (G). Leave approximately 1 7/8" of Threaded Nipple below the Hex Nut.
5. Align the openings in Fixture Pan (H) and Mounting Bracket (A) and install the Threaded Nipple to secure the Fixture Pan to the Mounting Bracket.
6. Install lamp. Do not exceed the wattage marked, as that could cause fixture to overheat.
7. Install Glass Diffuser (J) by aligning glass opening with Threaded Nipple (G), then screw on Decorative Cap (I).
8. Restore power.

**All electrical connections and the installation of this fixture must be in agreement with local codes, ordinances or the NEC (National Electric Code) or CEC (Canadian Electrical Code).  
Do not connect this fixture to an electrical system that does not provide a means for equipment grounding.**